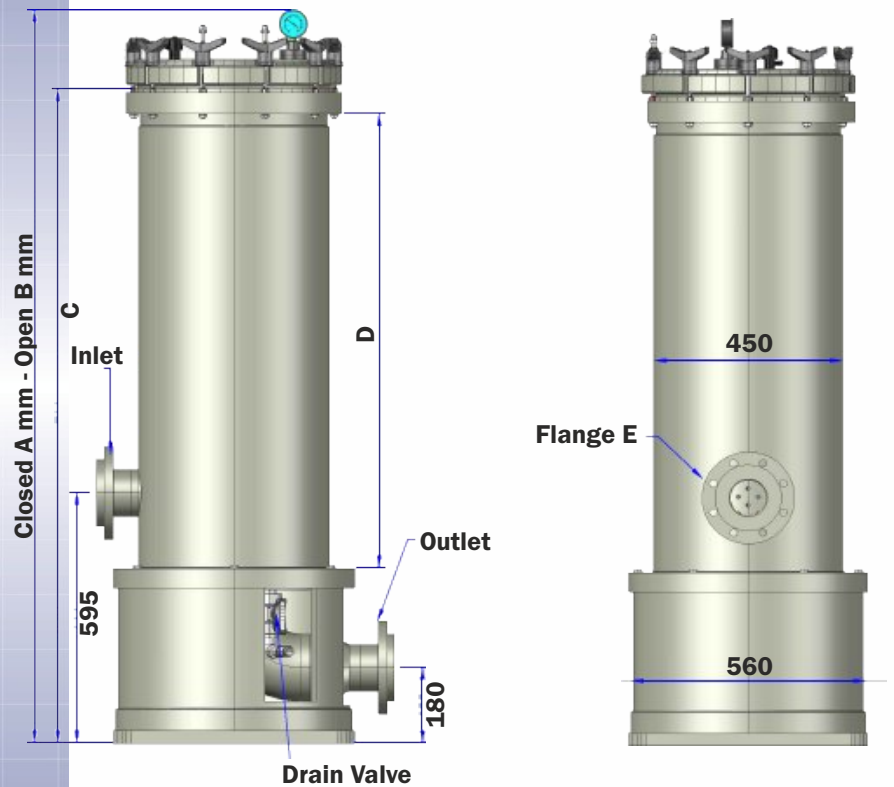
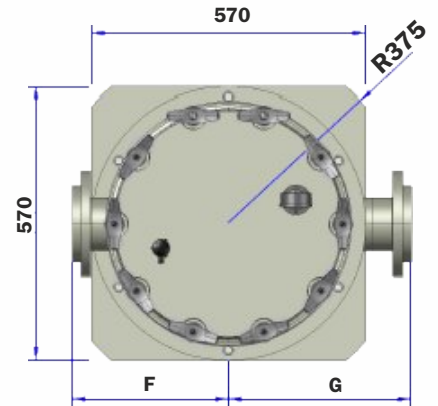


Filterhousing MTS-SFL21

The distinctive feature of this housing is, that all parts that are in contact with the medium are made of polypropylene. See the following characteristics of the MTS-SFL21 filter housing:

- 21 filter cartridges on the base
- Rest clean out through a ball valve
- Fits all standard DOE filter cartridges
- For filter cartridges with 30" and 40"
- Connection
 - Loose Flange DN100 and DN150
- Including a manometer with diaphragm seal
- Operating pressure: max. 6 bar at 30 °C
- Material: Polypropylene
- Gasket: EPDM



Measure Table

MTS-SFL21	30"	40"
A	1485 mm	1745 mm
B	1770 mm	2030 mm
C	1295 mm	1555 mm
D	820 mm	1080 mm
E	DN100	DN150
F	325 mm	335 mm
G	380 mm	390 mm

Manufactured acc. to the pressure equipment directive 2014/68/EU, article 4, par. 3, sound engineering practice.

Order Information:

MTS-SFL21- - FL

length of element	
30	30"
40	40"

connection	
DN100	DN100 for 30"
DN150	DN150 for 40"

Order Example:

MTS-SFL21-40-FL DN150