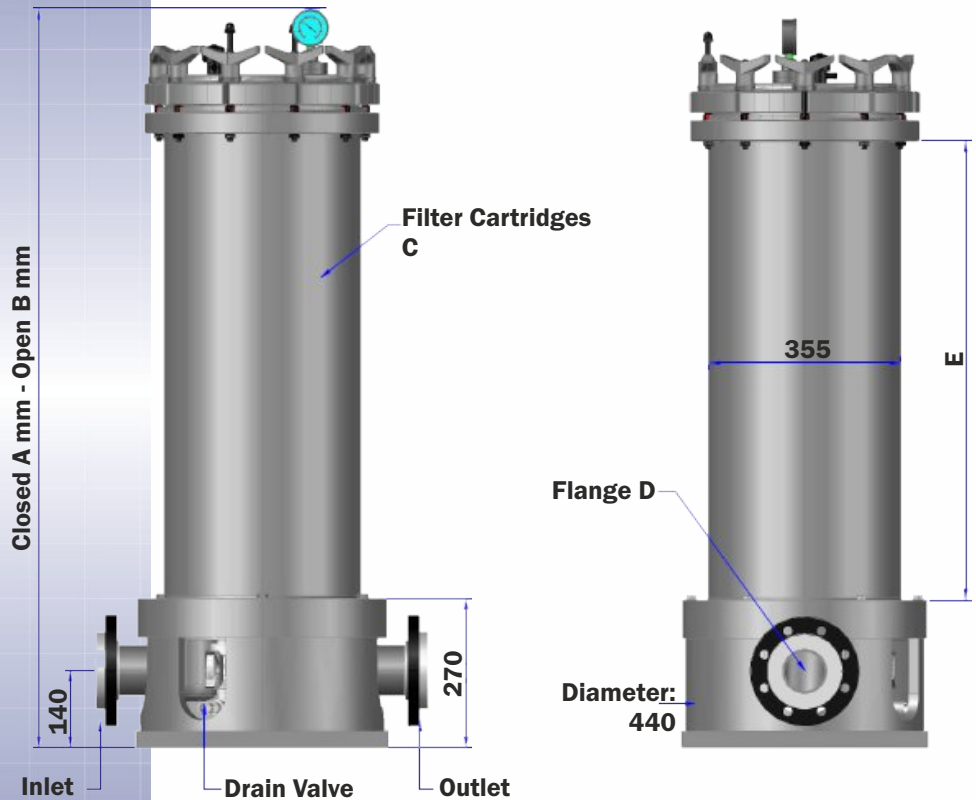
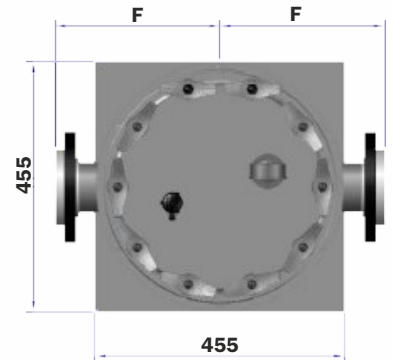


Filterhousing MTS-SFL15

The distinctive feature of this housing is, that all parts that are in contact with the medium are made of polypropylene. See the following characteristics of the MTS-SFL15 filter housing:

- 15 filter cartridges on the base
- Rest clean out through a ball valve
- Fits all standard DOE filter cartridges
- For filter cartridges with 30" and 40"
- Connection
 - Loose Flange DN80 and DN100
- Including a manometer with diaphragm seal
- Operating pressure: max. 6 bar at 30 °C
- Material: Polypropylene
- Gasket: EPDM



Measure Table		
MTS-SFL15	30"	40"
A	1340 mm	1600 mm
B	1545 mm	1805 mm
C	15x30"	15x40"
D	DN80	DN100
E	840 mm	1100 mm
F	300 mm	315 mm

Manufactured acc. to the pressure equipment directive 2014/68/EU, article 4, par. 3, sound engineering practice.

Order Information:

MTS-SFL15- - FL

length of element	
30	30"
40	40"

connection	
DN80	DN80 for 30"
DN100	DN100 for 40"

Order Example:

MTS-SFL15-30-FL DN80