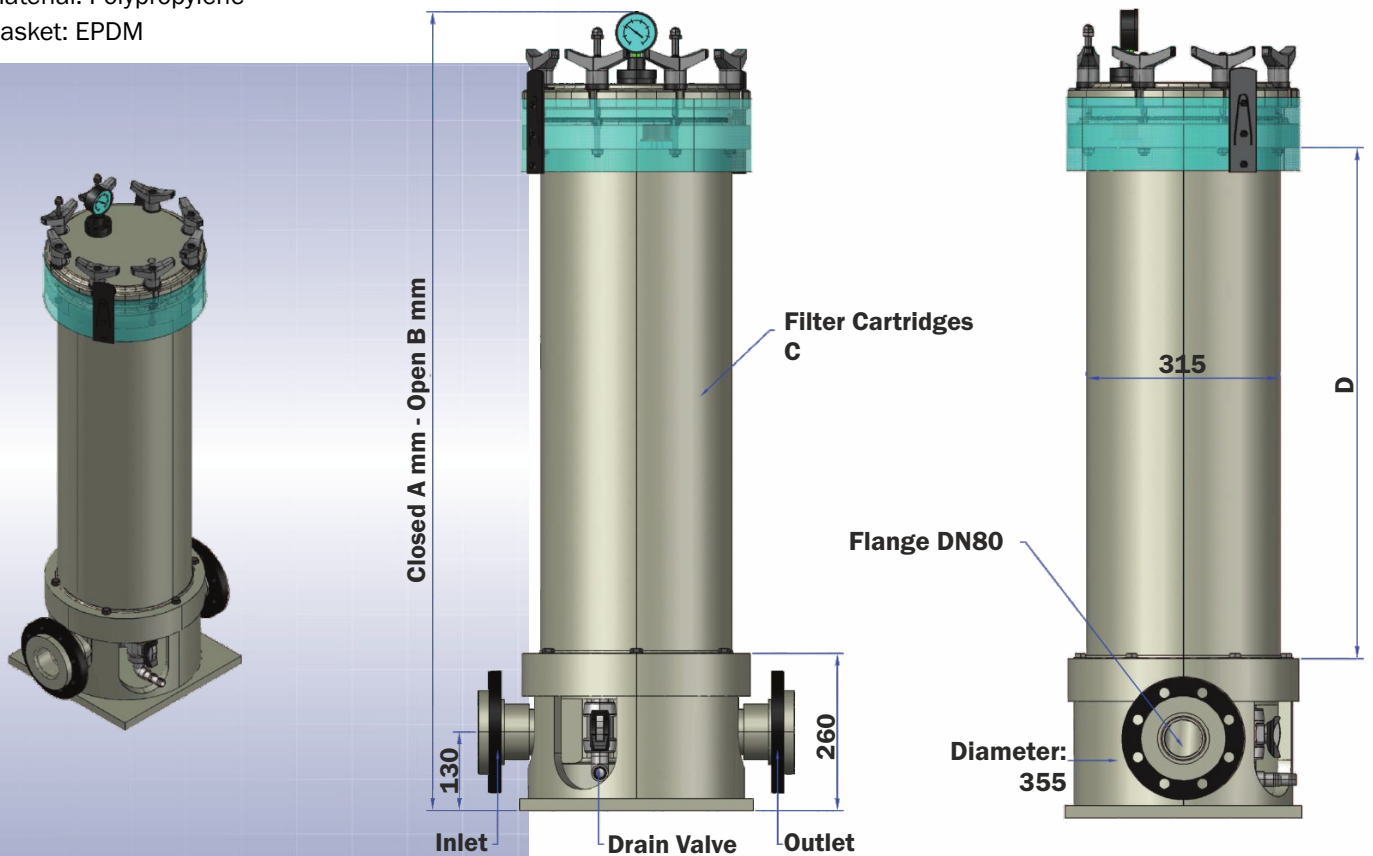
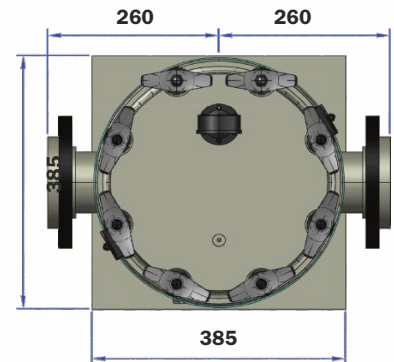


## Filterhousing MTS-SFL12

The distinctive feature of this housing is, that all parts that are in contact with the medium are made of polypropylene. See the following characteristics of the MTS-SFL12 filter housing:

- 12 filter cartridges on the base
- Rest clean out through a ball valve
- Fits all standard DOE filter cartridges
- For filter cartridges with 30" and 40"
- Connection
  - Loose Flange DN80
- Including a manometer with diaphragm seal
- Operating pressure: max. 6 bar at 30 °C
- Material: Polypropylene
- Gasket: EPDM



**Measure Table**

| MTS-SFL12 | 30"      | 40"      |
|-----------|----------|----------|
| A         | 1325 mm  | 1585 mm  |
| B         | 1485 mm  | 1745 mm  |
| C         | 12 x 30" | 12 x 40" |
| D         | 835 mm   | 1095 mm  |

Manufactured acc. to the pressure equipment directive 2014/68/EU, article 4, par. 3, sound engineering practice.

### Order Information:

MTS-SFL12-  - FL DN80

| length of element |     |
|-------------------|-----|
| 30                | 30" |
| 40                | 40" |

### Order Example:

MTS-SFL12-40-FL DN80