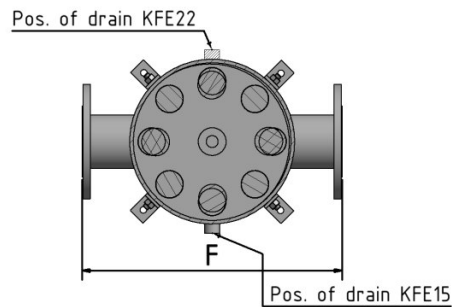
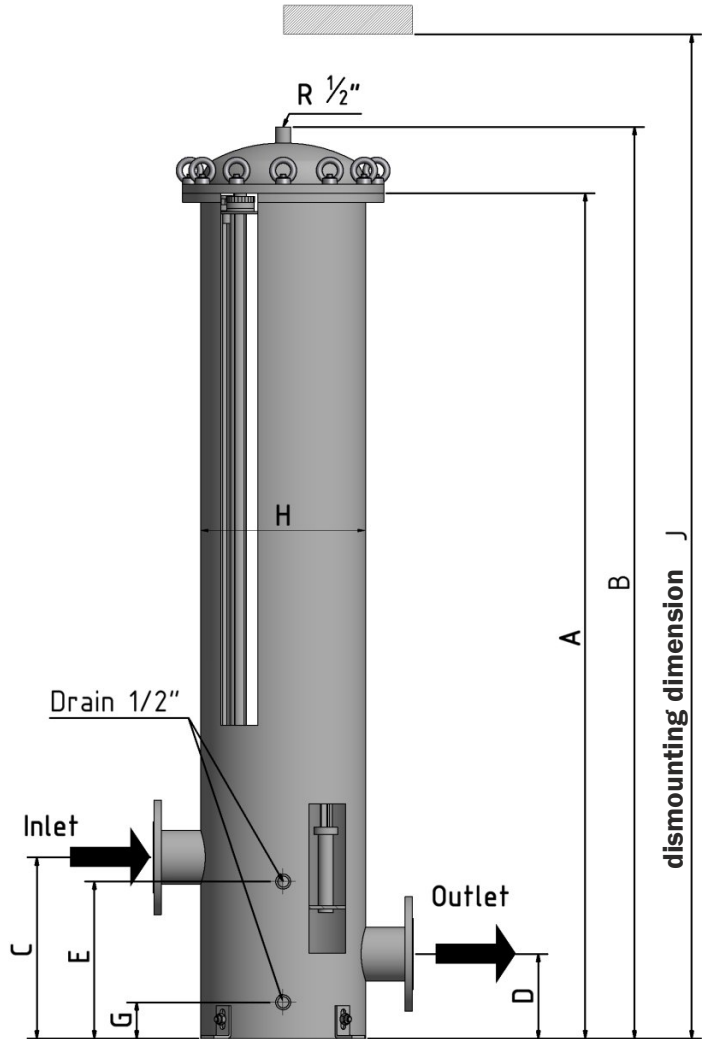


Filter housing KFE15 and KFE22

The KFE-Series can take 15 or 22 DOE-Cartridges with a length of either 40".

The cover is fastened with stud bolts and ring nuts. Therefore an uncomplicated and easy change of filter cartridges is possible.

The KFE-Series can be used for a wide range of industrial filtration applications.



General Technical Data

Material:	Stainless Steel 1.4404	
Surface:	Pickled	
In-/Outlet:	KFE15	Loose Flange DN100 PN10
	KFE22	Loose Flange DN150 PN10
Exhaust:	1/2" Female Thread	
Drain:	1/2" Female Thread	
Seal:	EPDM (others on request)	
Working Pressure:	Max. 10 bar at 80 °C	
Adapter:	DOE	

Manufactured acc. to the pressure equipment directive 2014/68/EU, article 4, par. 3, sound engineering practice.

Ordering Information:

KFE	<input type="text"/>	-	<input type="text"/>
	Number of elements		element length
	<input type="text" value="15"/>		<input type="text" value="40"/> <input type="text" value="40 inches"/>
	<input type="text" value="22"/>		

Order example: **KFE22-40**

TYPE	A	B	C	D	E	F	G	H	J	Weight
KFE15-40	1400	1510	340	140	295	540	65	ø324	2420	77 kg
KFE22-40	1580	1700	450	200	360	610	75	ø406	2600	90 kg