

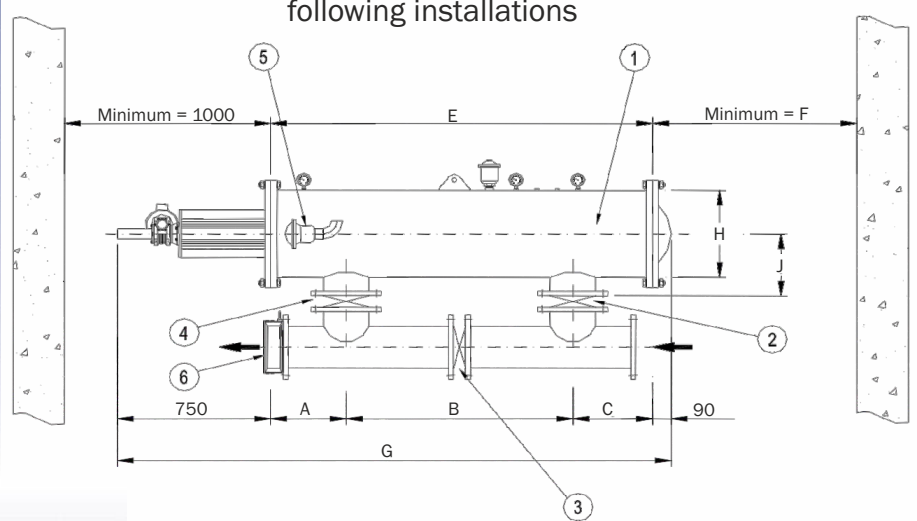
FMA 2000

The FMA 2000 is a fully automatic filter with an electric self cleaning mechanism, it can operate with a flow rate up to 700 m³/h



- Filtration degrees from 10-1000µm
- Cleaning by suction nozzle
- Less then 0.1% water loss per cleaning process
- Filter surface up to 19.150 cm²
- The cleaning can be started per differential pressure and/or per time
- Low power consumption
- No disconnection from the water flow for the following installations

1. Selfcleaning Filter FMA 2000
2. Shut-off Valve Inlet
3. Bypass-Valve
4. Shut-off valve Outlet
5. Cleaning Valve 2"
6. Check Valve (optional)



Filterelement Stainless Steel	Connection	Dimensions (mm)									Usable Filtering surface (cm ²)	Water consumption per cleaning (l)	weight (kg)
		A	B	C	DN	E	F	G	H	J			
FMA 2003-S	3"	302	360	219	80	881	400	1625	457	325	2.200	35	261
FMA 2004-S	4"	314	770	220	100	1305	690	2140	457	325	4.390	70	304
FMA 2006-S	6"	340	1000	240	150	1580	970	2415	457	325	6.900	105	382
FMA 2008-S	8"	367	1100	388	200	1855	1240	2690	457	325	9.400	140	439
FMA 2010-S	10"	419	1370	341	250	2130	1520	2965	457	325	11.900	175	495
FMA 2012-S	12"	430	1100	325	300	1855	1240	2690	660	450	14.700	175	675
FMA 2014-S	14"	433	1370	327	350	2130	1520	2965	660	450	19.150	175	753

General Technical Data

Working pressure:	2 - 10 bar
Fluid max. temperature:	50 °C, higher temp. on demand
Material housing:	Polyester-coated steel
Material filterscreen:	Complete stainless steel
Filter degrees:	10/ 20/ 34 /50 /63 /75 /100 /125 /200 /300 /500 /800 /1000 µm
Seal:	NBR
Electric supply voltage:	400 V
Control voltage:	24 V (system internal)
Electric motor power:	0.37 kW, 50 Hz
Cleaning valve:	2"

