

Bagfilterhousing BF 1 and BF 2

In the BF1 and BF2 filter bags with a filter area of 0,25 m² or 0,50 m² are used. The [MHF high performance filter cartridge](#) can also be used in the BF2.

The fluid enters the housing on the top. It passes the filter bag from the inside to the outside and leaves on the bottom of the housing. The dirt remains in the filter bag.

The housings are equipped with a user-friendly V-Clamp quick lock. The 3/8" socket in the lid can be used for venting the housing or for mounting a pressure gauge.

The standard connection is a 2" female thread. On demand other variants are possible (flange, clamp, etc.)

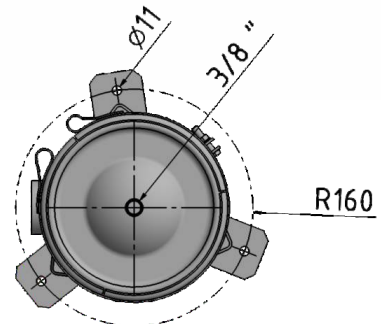
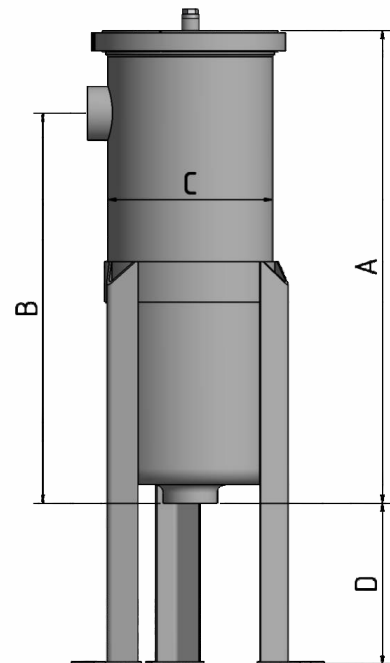


General Technical Data

Material:	Stainless Steel 1.4571
Surface finish:	Electropolished
In-/Outlet:	2" Female Thread (Standard), other Connections on demand
Lid Socket:	3/8" Female Thread
Seal:	NBR (other materials on demand)
Working Pressure:	max. 8 bar
Working Temperature:	80 °C with Standard Seal (with other Seal Materials higher Temp. are possible)
Filter Surface:	0,25 or 0,50 m ²
Flow Rate:	max. 18 m ³ /h (BF 1)* max. 35 m ³ /h (BF 2)*

* depending on the connections and the micron rating of the filterbag

Manufactured acc. to the pressure equipment directive 2014/68/EU, article 4, par. 3, sound engineering practice.



Order Information:

BF



Bag Size

1	Size 1
2	Size 2

Order Example: **BF2**

	A	B	C	D
BF 1	590	500	204	0-320
BF 2	975	880	204	0-320