

## Filterhousing Type AT-HD

(High Pressure AT Housing)

The sump of two-parted housing is made of stainless steel 1.4571 and the turned head is either made of stainless steel 1.4301 or 1.4404. The head is screwed together with the sump by a thread in the head. This high pressure variant is able to withstand pressures up to 40 bar. (Higher pressure ratings on demand)

The DOE-filter cartridge is hold by a center rod. The sealing is provided by the cutting edge of the filter head and the cutting edge at the end of the center rod.

The AT-G filterhousing is available in different sizes. Filter cartridges from 4 7/8" to 20" length can be mounted in the filter housing. Due to the many useable filter cartridges, there is broad scope of possibilities for industrial applications.

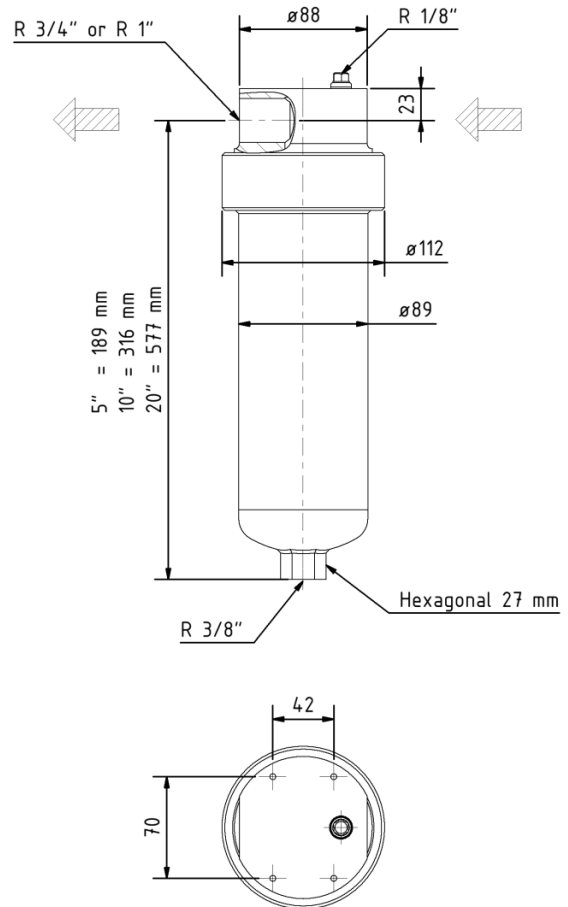


### General Technical Data

Material:	
Filter Head:	Stainless Steel 1.4301 or 1.4404
Sump:	Stainless Steel 1.4404
In-/Outlet:	Female Thread 3/4" or 1"
Drain:	Female Thread 3/8"
Seal:	Perbunan (others on request)
Working Pressure:	max. 40 bar (higher pressure ratings on demand)
Working Temperatur:	80 °C with Standard Seal (with other seal materials higher temperatures are possible)
Adapter:	DOE (Flat Seal)
Exhaust:	Female Thread 1/8"

Manufactured acc. to the pressure equipment directive 2014/68/EU, article 4, par. 3, sound engineering practice.

TÜV approval (German Technical Control Board) possible



### Ordering Information

AT -  - A -  - HD -

Length in Inch	
400	4 7/8" and 5"
401	9 3/4"
410	10"
420	20"

Material Head	
SS	V2A
F	V4A

Connection in Inch	
3/4	3/4"
1	1"

**Ordering Example:** AT-401-A-SS-HD-3/4