

Self Cleaning Wedge Wire Filter AS70/110/175

The system is solidly built and may be used for the toughest applications.

The AS70/110/175 consists of the following parts:

- filter housing and filter head
- cylindrical wedge wire element
- scraper unit with scraper blade
- spur gear motor

The fluid goes from the outside to the inside of the filterelement. The solids are collected on the outside. The scraper blade cleans the permanent rotating filterelement and the scraped solids are collected in the bottom part of the housing. By opening the valve the sludge is discharged due to the pressure inside the housing.

The discharging of the sludge can be achieved in three different ways:

- Manual: By opening and closing of a ball valve
- Automatic: By a time-controlled valve
- Automatic: By an electronic control board which opens/closes a drain valve due to differential pressure



Wedge Wire Filter AS175

Main Features:

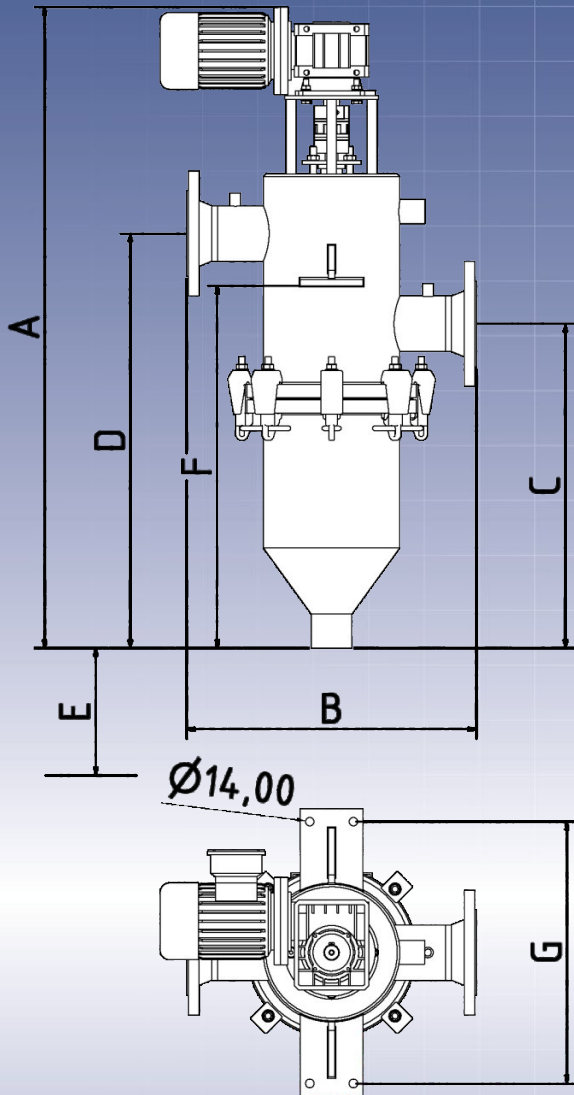
- No filterelement disposal
- The product waste is kept to a minimum
- Easy dismounting of the wedge wire element
- Self-cleaning with no interruption of production process
- Suitable for almost all fluids
- High resistance to differential pressure

Applications

- | | |
|------------------------|---------------------------|
| • Paints and Coatings | • Gear Oil, Rapeseed Oil |
| • Emulsion Paints | • Emulsions |
| • Inks | • Electrophoresis Coating |
| • Underbody Protection | • Softening Agents |
| • Adhesives | • Polyurethane |
| • Tar Produkts | • Coolant |
| • Solvents | |



wedge wire element



Technical Data

Type	AS70	AS110	AS175
Flow Rate	13 m ³ /h *	25 m ³ /h *	35 m ³ /h *
Inlet	Flange DN50	Flange DN65	Flange DN80
Outlet			
Drain	R 2" IG		
Vent	R 1"		
Housing Closure	Clamp Screw		
Mounting Height A	865	965	1030
Flange Dimension B	365		465
Flange Dimension C	370	470	520
Flange Dimension D	500	600	670
Dismouting Height E	300	400	
Mounting Claw Height F	435	535	580
Distance between Mounting Claw Height G	335		420
Volumen in Liters	10,5	12,5	22,5
Rated Output in Watts	90		
Weight in kg	41	47	81

* applied to water with 100 µm Filterelement

Manufactured according to Pressure Equipment Directive
2014 / 68 / EU Kat. I, Module A

Ordering Information:

AS70
AS110
AS175

Order Example: AS110

Allgemeine technische Daten

Material:	
Filter housing	Stainless Steel 1.4571
Filter Cartridge	Stainless Steel 1.4404
Scraper	Stainless Steel 1.4310
Gasket:	Viton O-Ring/PTFE
Micron Rating:	25-3000 µm
Operating Pressure:	10 bar 16 bar upon request
Operating Temperatur	100 °C Special Version up to 200 °C possible
Drive:	Spur Gear Motor
Electrical Connections:	400 V, 50 Hz Special Voltage on Demand
Protection Class	IP65, optional with Explosion Protection Certificates