

## Self Cleaning Wedge Wire Filter AS50

The system is solidly built and may be used for the toughest applications.

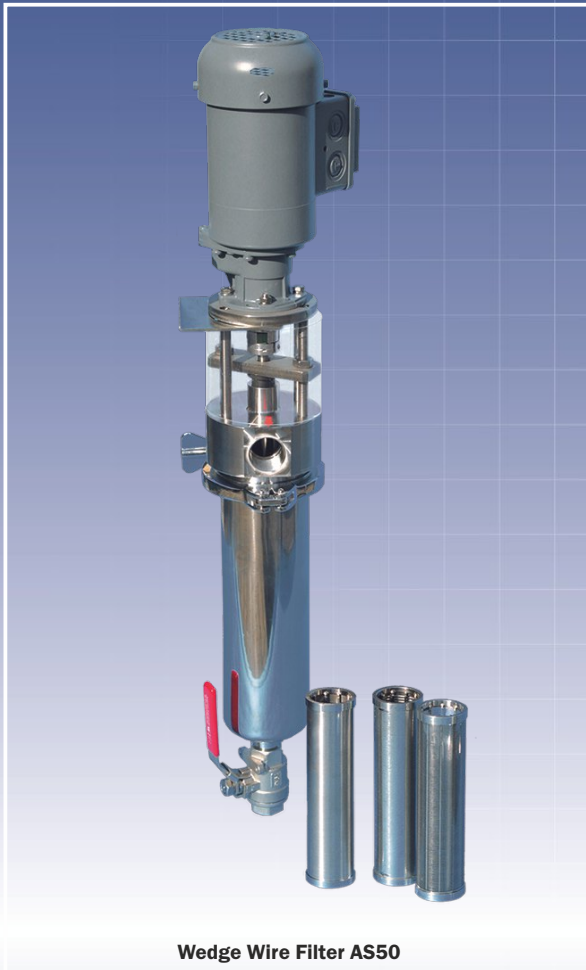
The AS50 consists of the following parts:

- filter housing and filter head
- cylindrical wedge wire element
- scraper unit with scraper blade
- spur gear motor

The fluid goes from the outside to the inside of the filterelement. The solids are collected on the outside. The scraper blade cleans the permanent rotating filterelement and the scraped solids are collected in the bottom part of the housing. By opening the valve the sludge is discharged due to the pressure inside the housing.

The discharging of the sludge can be achieved in three different ways:

- Manual: By opening and closing of a ball valve
- Automatic: By a time-controlled valve
- Automatic: By an electronic control board which opens/closes a drain valve due to differential pressure



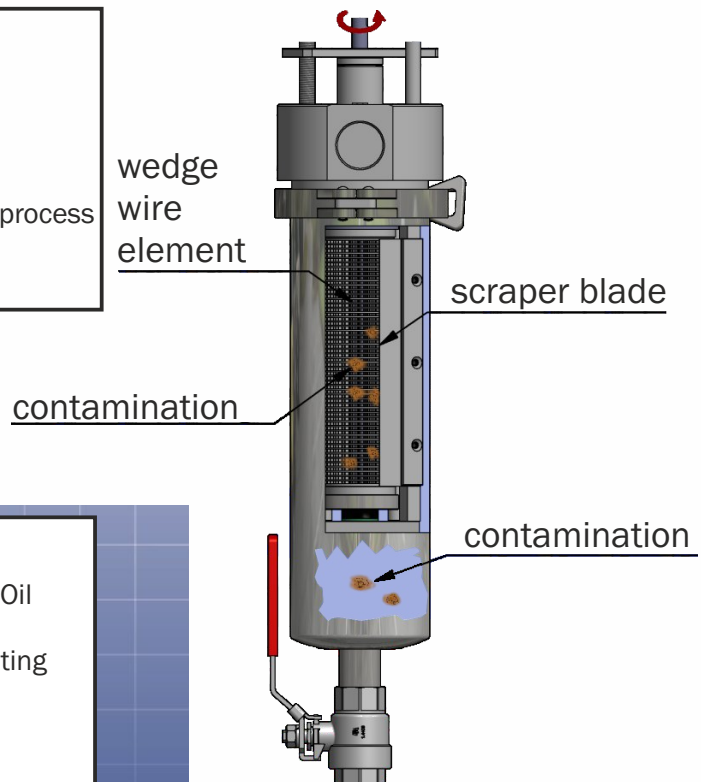
Wedge Wire Filter AS50

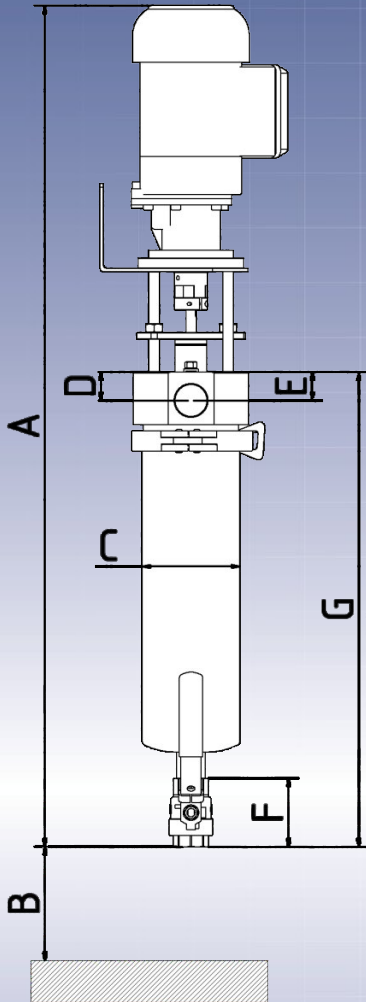
### Main Features:

- No filterelement disposal
- The product waste is kept to a minimum
- Easy dismantling of the wedge wire element
- Self-cleaning with no interruption of production process
- Suitable for almost all fluids
- High resistance to differential pressure

### Applications

- |                        |                           |
|------------------------|---------------------------|
| • Paints and Coatings  | • Gear Oil, Rapeseed Oil  |
| • Emulsion Paints      | • Emulsions               |
| • Inks                 | • Electrophoresis Coating |
| • Underbody Protection | • Softening Agents        |
| • Adhesives            | • Polyurethane            |
| • Tar Produkts         | • Coolant                 |
| • Solvents             |                           |





## Ordering Information:

**AS50**

**Order Example: AS50**

## Technical Data

Type	AS50
Flow Rate	3,5 m <sup>3</sup> /h *
Inlet	R 1"
Outlet	R 1"
Drain	R 3/4"
Vent	R 1/8"
Housing Closure	V-Clamp
Overall Height A	80
Dismounting Height B	300
Installation Dimension C	100
Inlet D	27
Outlet E	27
Drain Tap F	80
Housing Height	450
Volume in Liters.	15
Rated Output in Watts	20
Weight in kg	12

\* applied to water with 100 µm Filterelement

Manufactured acc. to the pressure equipment directive  
2014/68/EU Artikel 4, Paragraph 3

### General Technical Data

Material:	
Filter Head	Stainless Steel 1.4301
Filter Sump / Internal Parts	Stainless Steel 1.4571
Filter Cartridge	Stainless Steel 1.4404
Scraper	Stainless Steel 1.4310
Gasket:	Viton O-Ring/PTFE
Micron Rating:	25-3000 µm
Operating Pressure:	16 bar
Operating Temperatur	100°C Special Version up to 200°C possible
Drive:	Spur Gear Motor
Electrical Connections:	400 V, 50 Hz Special Voltage on Demand
Protection Class	IP54, optional with Explosion Protection Certificates