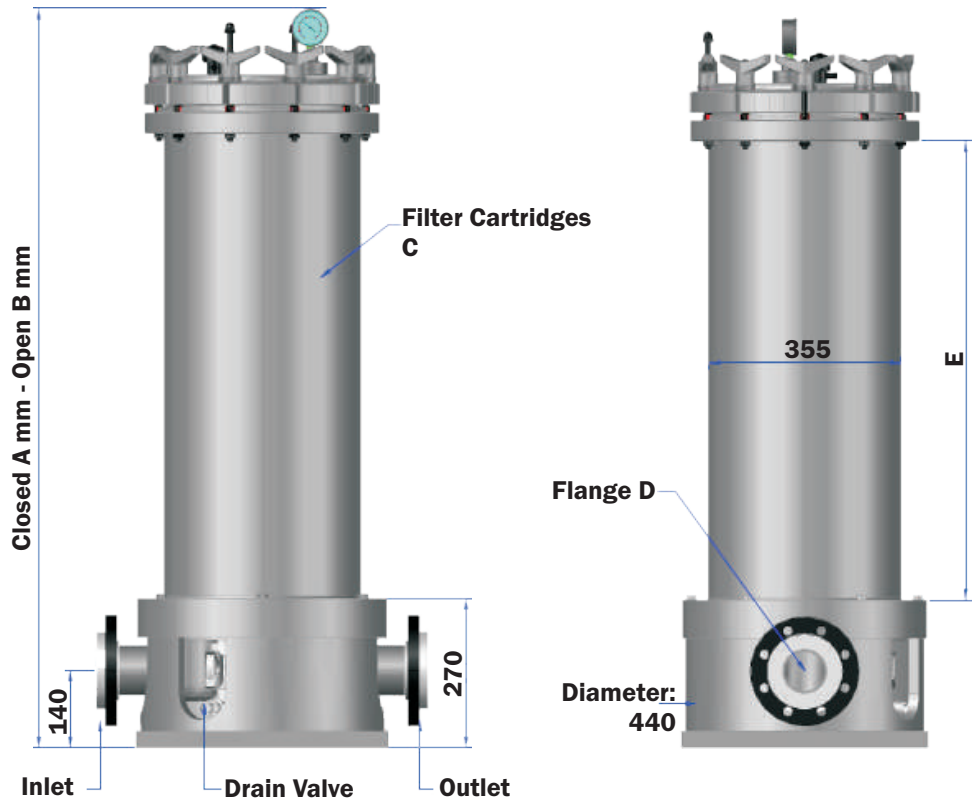
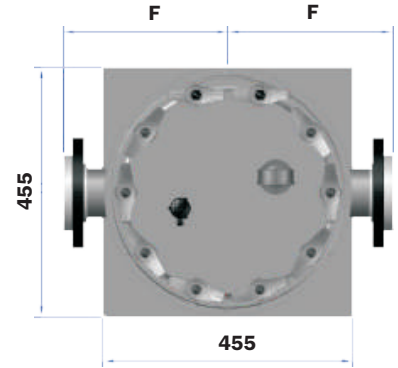


Filterhousing MTS-SFL15

The distinctive feature of this housing is, that all parts that are in contact with the medium are made of polypropylene. See the following characteristics of the MTS-SFL15 filterhousing:

- 15 filter cartridges on the base
- Rest cleanout through a ball valve
- Fits all standard DOE filter cartridges
- For filter cartridges with 30" and 40"
- Connection
 - Loose Flange DN80 and DN100
- Including a manometer with diaphragm seal



| Measure Table | | |
|---------------|--------|--------|
| MTS-SFL15 | 30" | 40" |
| A | 1340mm | 1600mm |
| B | 1545mm | 1805mm |
| C | 15x30" | 15x40" |
| D | DN80 | DN100 |
| E | 840mm | 1100mm |
| F | 300mm | 315mm |

Order Information:

MTS-SFL15-



- FL



| length of element | | connection | |
|-------------------|-----|------------|---------------|
| 30 | 30" | DN80 | DN80 for 30" |
| 40 | 40" | DN100 | DN100 for 40" |

Order Example:

MTS-SFL15-30-FL DN80