

Filterhousing Type AT-G

The housings are made completely of stainless steel AISI 304. Filter head and sump are connected with a union nut.

The DOE filter cartridge is hold by a center rod. The sealing is provided by the cutting edge of the filter head and the cutting edge at the end of the center rod.

In comparison with the AT-ZS housing less space is required for the disassembling, because the center rod is not connected with the filter head.

The AT-G filterhousing is available in different sizes. Filter cartridges from 4 7/8" to 20" length can be mounted in the filter housing. Due to the many useable filter cartridges, there is broad scope of possibilities for industrial applications.

Accessories:

- fixing bracket for walls
- mounting key
- darin valve
- vent valve

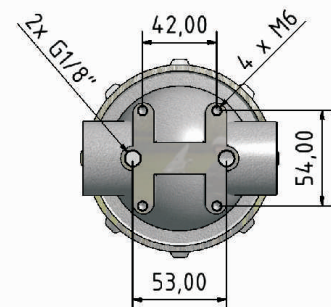
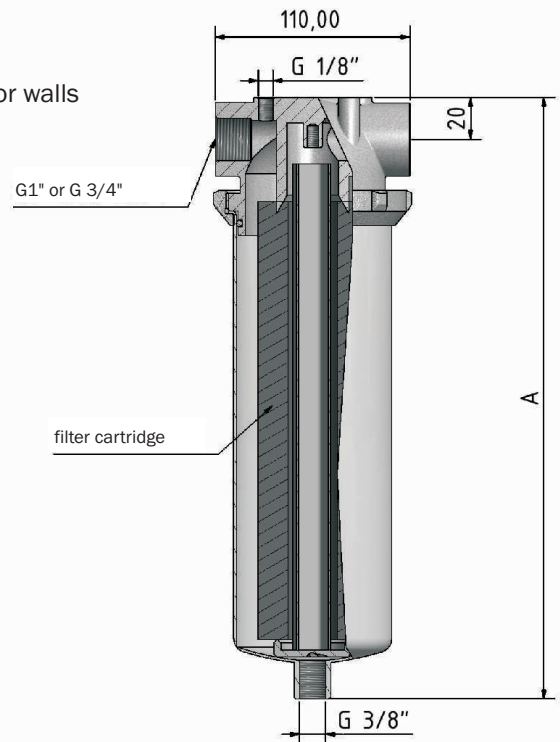


General technical data

Material:

Filter Head:	Stainless Steel Cast 1.4301
Sump:	Stainless Steel 1.4301 or 1.4571
Union Nut:	Stainless Steel
In-/Outlet:	Femal Thread 3/4" or 1"
Drain:	Femal Thread 3/8"
Seal:	NBR (others in request)
Working Pressure:	max. 16 bar
Working Temp.:	max. 80 °C with standard seal (with other seal materials higher temp. are possible)
Adapter:	DOE (Flat Seal)
Entlüftung:	Femal Thread R 1/8"

Manufactured acc. to the pressure equipment directive 2014/68/EU, article 4, par. 3, sound engineering practice.



Ordering Information:

AT - - - G - SS -

Length in Inch	
400	4 7/8" und 5"
401	9 3/4"
410	10"
402	19 1/2"
420	20" *

Drain	
A	with drain

Connection in Inch	
3/4	3/4"
1	1"

ordering example: **AT-410-A-G-SS-3/4**

* only with drain

Type	Dimension A
AT-400	203 mm
AT-400-A	223 mm
AT-401	326 mm
AT-401-A	340 mm
AT-410	326 mm
AT-410-A	340 mm
AT-402	575 mm
AT-402-A	595 mm
AT-420-A	605 mm