

## Self Cleaning Wedge Wire Filter AS Typ FD

The system is solidly built and may be used for the toughest applications.

The wedge wire filter with flange cover consists of the following parts:

- one part filter housing
- scraper plate unit
- gear motor with lid
- 3 support legs  
(the support legs have to be mounted on the ground)

The fluid goes from the outside to the inside of the filterelement. The solids are collected on the outside. The scraper blade cleans the permanent rotating filterelement and the scraped solids are collected in the bottom part of the housing. By opening the valve the sludge is discharged due to the pressure inside the housing.

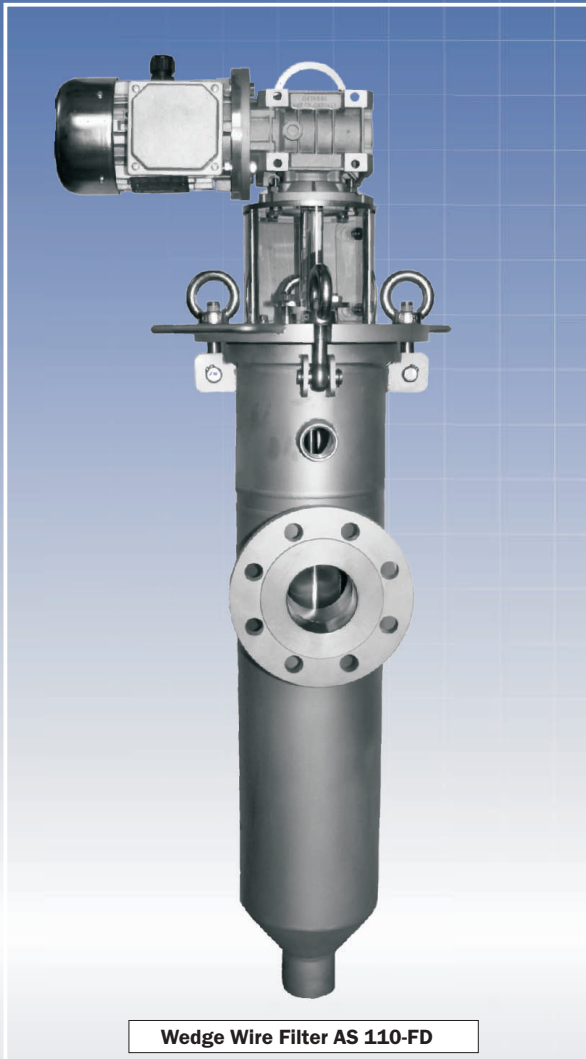
The discharging of the sludge can be achieved in three different ways:

- Manual: By opening and closing of a ball valve  
(ball valve is not included)
- Automatic: By a time-controlled valve
- Automatic: By an electronic control board which opens/closes a drain valve due to differential pressure

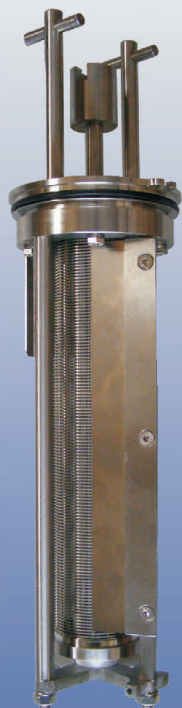
The maintenance and cleaning of the housing is easily achieved. For taking out the gear motor with lid and the scaper blade unit only four eyebolts have to be loosened.

The interior of the housing than can be cleaned easily.

As an additional option the interior surface of the housing can be polished.



Wedge Wire Filter AS 110-FD



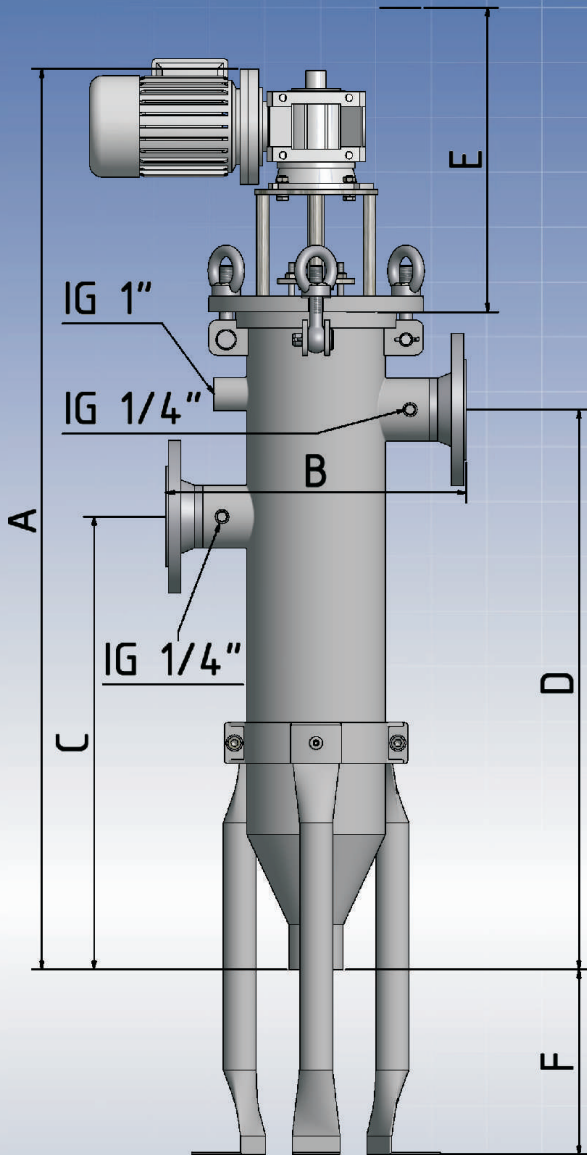
Scraper Blade Unit

### Applications

- Chocolate Mixture
- Cocoa Mass
- Marzipan
- Coffee Essence
- Yeast
- Paints and Coatings
- Emulsion Paints
- Inks
- Underbody Protection
- Adhesives
- Tar Produkts
- Solvents
- Gear Oil, Rapeseed Oil
- Emulsions
- Electrophoresis Coating
- Softening Agents
- Polyurethane
- Coolant

### Main Features:

- Clean and dirt room can be cleaned fast and easy
- Dismounting of the scraper blade unit without tools
- No filterelement disposal
- The product waste is kept to a minimum
- Easy dismounting of the wedge wire element
- Self-cleaning with no interruption of production process
- Suitable for almost all fluids
- High resistance to differential pressure
- Solid one part housing



Support legs mounted to the ground

### Ordering Information:

AS  - FD

Flange	
110	DN65
175	DN80

Order Example: AS **110** - FD

### Technical Data

Type	AS 110 - FD	AS 175 - FD
Flow Rate	25 m <sup>3</sup> /h *	35 m <sup>3</sup> /h *
Inlet Flange	DN65	DN80
Outlet Flange	DN65	DN80
Drain	R 2" Female Thread	
Vent, Flushing	R 1/8" in lid (Vent), R 1" (Flushing)	
Housing Closure	Hinged Bolts	
Mounting Height A	1145	1200
Flange Distance B	365	465
Flange Height C	550	560
Flange Height D	680	710
Dismounting Height E	580	700
Height from Ground F	0-250	0-220
Volume in Liters.	15	26,5
Housing optional with fixing claws		
Housing optional with support legs		
* applied to water with 100 µm Filterelement		
Manufactured acc. to the pressure equipment directive 2014/68/EU Cat. I, Module A		

### General Technical Data

<b>Material:</b>	
Filter housing	Stainless Steel 1.4571
Filter Cartridge	Stainless Steel 1.4435
Scraper	Stainless Steel 1.4310
<b>Gasket:</b>	Viton O-Ring/PTFE
<b>Micron Rating:</b>	25-3000 µm
<b>Operating Pressure:</b>	10 bar Standard 16 bar on Special Request
<b>Operating Temperatur</b>	80 °C Special Version up to 200 °C possible
<b>Drive:</b>	Worm Gear Motor
<b>Electrical Connections:</b>	400 V, 50 Hz Special Voltage on Demand
<b>Protection Class</b>	IP65, optional with Explosion Protection Certificates